



shorts “TENDERLY”

YARN
Adriaafil yarns

MATERIALS
150 g. Avantgarde yarn, blue no. 71.
Knitting needles 3. 50 cm of elastic band 2 cm high. Tapestry needle

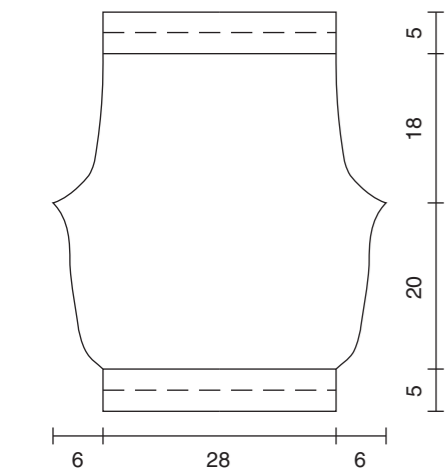
AGE: 3/6 months

PATTERN STITCHES
Elastic rib
Rib stitch 1/1
Knitted stitch

TENSION
10 x 10 cms with knitting needles 3 work in knitted stitch. = 30 sts and 40 rows.

WORKING INSTRUCTIONS
Right: Cast on 84 sts and work 2 rows in elastic rib, then, in rib st 1/1 until work measures 5 cm. from beg. Cont. knitted stitch. inc. at each end 1 st every 4 rows 19 times When work measures 20 cm. from the edge, for the crutch bind off on the sides, every 2 rows, 8 sts., 4 sts, 2 sts, 1 st. 5 times. When work measures 23 from the crutch, bind off all sts .
Left: Work to match right.

MAKING UP AND FINISHING
Join the right to the left, to the front and back centre. Sew the inner part of the leg and the crutch. Fold in half inwards, the border to the bottom of the legs and sew in blind stitch. Fold on back for a length of 2,5 cm. the upper edge and sew in blind stitch, leaving a small opening on one side. Fit the elastic band into the waist line and end off.



jacket “TENDERLY”

YARN
Adriaafil yarns

MATERIALS
200 g. Avantgarde yarn, blue no. 71. Knitting needles 3. Auxiliary Knitting Needle n. 3. 4 buttons. Tapestry needle

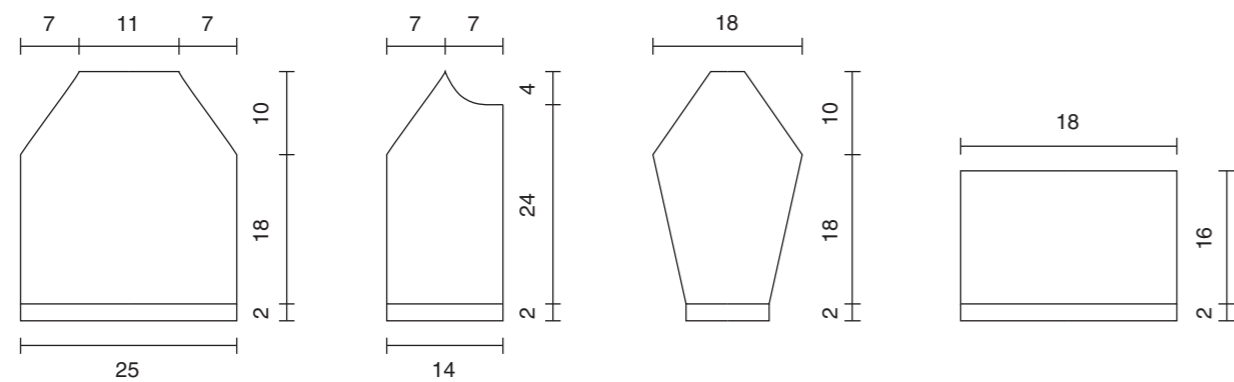
AGE: 3/6 months

PATTERN STITCHES
Knitted stitch
Garter stitch
Rice stitch
Purled stitch
English rib stitch: over 1 st.
Row 1: work in knitted stitch.
Row 2: on reverse side.
Row 3: 1 double st (= work the right hand knitting needle into the corresponding stitch of the stitch to work, but of the knitting needle below, then k1).
4° f.: on reverse side.
Row 5: repeat from row 3.
Medallion stitch: over 8 sts.
Rows 1 and 3°: work in knitted stitch.
Row 2 and next even rows: on reverse side.
Row 5: 4 sts incr. leftwise (= stand 2 sts on the auxiliary knitting needle in front of work, k2, work in knitted stitch the standing stitches), 4 sts incr. rightwise (=stand 2 sts on the auxiliary knitting needle on back of work, k2, work in knitted stitch the standing stitches).
Rows 7 and 9: work in knitted stitch.
Row 11: 4 sts incr. rightwise, 4 sts incr. leftwise.
Row 13: repeat from Row 1
Cable stitch: over 8 sts.
Rows 1 and 3: work in knitted stitch.
Row 2 and succ. even rows: on reverse side.
Row 5: 4 sts incr. rightwise, 4 sts incr. leftwise.
Row 7: repeat from Row 1

TENSION
10 x 10 cms with knitting needles 3 and the different stitches = 32 sts and 36 rows

WORKING INSTRUCTIONS
Back: Cast on 70 sts and work 16 rows in knitted st.; to shape the hem, fold the work in half, using the auxiliary knitting needle knit up the casting stitches, place the auxiliary knitting needle next to the row you are working and work knit 2 together two by two to the end of the row. Cont. working the stitches as follows: 5 sts in rice stitch, (p3, 1 English rib stitch) twice., p3, 8 medallion sts, p3, 1 English rib st., p3, 8 cable sts, p3, 1 English rib st., p3, 8 medallion sts, (p3, 1 English rib st.) twice., p3, 5 rice sts. When work measures 18 cm. from the hem, to shape the sleeve holes bind off on the sides 5 sts and, for the raglan, decs. at the ends, at the 1st and last English rib, 1 st every 2 rows 15 times and work in garter stitch the stitches outside the English rib. When work measures 10 cm. from beg. of the raglan, Bind off all the rem. sts.
Right front: Cast on 40 sts and work the hem to match Back. Cont. working the stitches as follows: 4 sts in garter stitch, 5 rice sts, p3, 1 English rib st., p3, 8 medallion sts, (p3, 1 English rib st.) twice., p3, 5 rice sts. When work measures 18 cm. from the hem, shape the sleeve hole and the raglan, on left of work, to match Back. When work measures 24 cm. from the hem, to shape neckline bind off, rightwise, every 2 rows, 10 sts, 2 sts 4 times. When work measures 4 cm. from the neckline, bind off rem. sts.
Left front: Work to match Right Front, working 4 1-stitch buttonholes, spaced evenly, inside the last 3 sts of the border in garter stitch.
Sleeves: Cast on 37 sts and work the hem to match Back. Cont. working the stitches as follows: (p3, 1 English rib st., p3, 8 medallion sts) twice., p3, 1 English rib st., p3. At the ends inc. 1 st every 8 rows 7 times and work over the new sts., as the work progresses, as follows: 1 English rib st., p3, 3 rice sts. When work measures 18 cm. from the hem, work the sleeve holes and the raglan to match Back. When work measures 10 cm. from the raglan, bind off all the rem. sts.
Hood: Cast on 70 sts and work as described for the Back. When work measures 16 cm. from the hem, bind off all sts.

MAKING UP AND FINISHING
Sew the raglan. Knit up the sts evenly around the neckline and work in knitted stitch. for a length of cm. 4; bind off stitches. Fold the border in half inwards and sew with blind stitch. Join the hood around the neckline, on the right of the work, at the base of the hem. Sew the sides and the under-sleeves. Sew in the buttons opposite the buttonholes.



play rug

YARN
Adriaafil yarns

MATERIALS
600 g. Happy Train colour no. 70.
Knitting needles 7 Crochet hook 4.

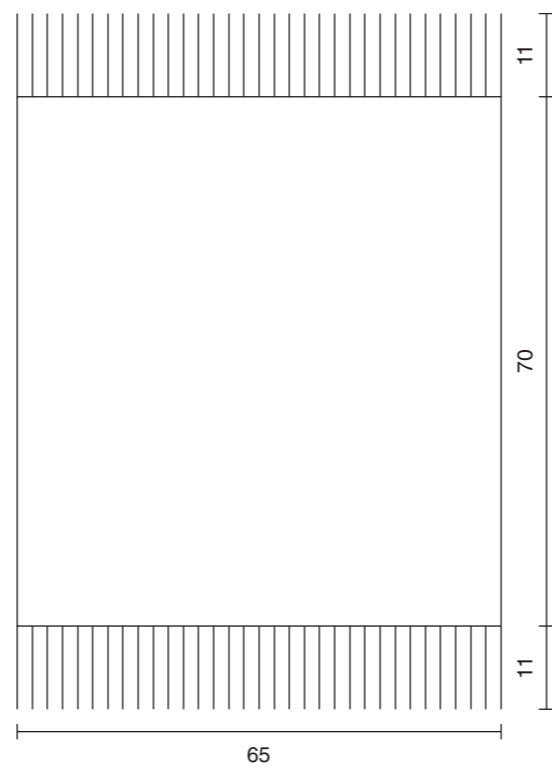
SIZE: 65x70 cm., not including the fringes

PATTERN STITCHES
Garter stitch

TENSION
10 x 10 cms with knitting needles 7 in garter stitch = 13 sts and 26 rows

WORKING INSTRUCTIONS
Cast on 86 sts with knitting needles 7 and work in garter stitch. When work measures 70 cm. from beg., bind off all the stitches.

MAKING UP AND FINISHING
Using the same yarn of the blanket cut off threads of 22 cm; join them in twos and fold in half and, with the crochet hook, knot them along the short edges of the blanket fitting them into alternating stitches. Cut the fringe to even off with a pair of scissors.



bonnet and booties

YARN
Adriaafil yarns

MATERIALS
100 g. (in all) Avantgarde yarn of which: 50 g. white no. 02 and 50 g. blue no. 71. Crochet hook 2,50. 1 2,5 cm diameter button. Tapestry needle

AGE: 3/6 months

PATTERN STITCHES
Chain
Crochet
Single crochet
Half double crochet
Double crochet
Double crochet raised at front: work in dc. working the crochet hook from front to back around the column worked from the dc below.
Double crochet raised at back: work in dc. working the crochet hook from back to front around the column worked from the dc below.
Reverse stitch: Work like the single crochet but from left to right.

TENSION
10 x 10 cm. with crochet hook 2,50 in dc. = 23 sts and 16 rows

WORKING INSTRUCTIONS BONNET
Using the white yarn cast on a chain of 4 sts, end with 1 crochet in the 1st ch. and, in the loop obtained work as follows:
Row 1: 16 dcs. (= the first dc of every row with 3 chs.); end this row and all the next rows with 1 crochet in the starting st..
Row 2: * 1 dc. in front raised st. in the next dc. 2 dcs. in front raised st. in the next dc. 1 dc. in back raised st. in the next dc. 2 dcs. in back raised st. in next dc. *. Rep. from * to * another 3 times
Row 3: * 1 dc. in front raised st. in each of the next 2 dcs., 2 dcs. in front raised st. in the next dc. 1 dc. in back raised st. in each of the next 2 dcs., 2 dcs. in back raised st. in next dc. *. Rep. from * to *.
Row 4: * 1 dc. in front raised st. in each of the next 3 dcs., 2 dcs. in front raised st. in the next dc. 1 dc. in back raised st. in each of the next 3 dcs., 2 dcs. in back raised st. in next dc. *. Rep. from * to *.
From row 5 to 16: Cont. increasing 1 st at every row for each of the 8 "segments" working the increases again in the last st. of every "segment" as described before.
Row 17: work in 1 decrease at the beg. and at the end of each "segment" working * 1 dc. in front raised st. con decrease (= work 1 dc. in front raised st. not grafted in each of the next 2 dcs., wind yarn over and graft the 2 sts tog.), 12 dcs. in front raised st., 1 dc. in front raised st. con decrease, 1 dc. in back raised st. con decrease (= work 1 dc. in back raised st. not grafted in each of the next 2 dcs., wind the yarn over and graft the 2 sts tog.), 12 dcs. in back raised st., 1 dc. in back raised st. with decrease *. Rep. from * to *.
Rows 18 and 19: work like row 17 working, between decreases, 10 and 8 raised sts. respectively.
Row 20: * 10 sts in front raised st., 10 sts in back raised st. *. Rep. from * to *.
For the ear muff work 1 crochet in each of the 10 sts of the 1st "segment", 1 crochet in each of the 5 next sts of the 2nd "segment" and cont. only on the next 15 sts (the last 5 sts of the 2nd "segment" and 10 sts of the 13th "segment") working the row forwards and backwards and decreasing at the ends 1 st at every row until only 1 stitch remains. Break and fasten off yarn.
Slip over the 4th, 5th and 6th "segments", hook the yarn at the beg. of the 7th segment and, on the next 15 sts. (7th and 8th "segments"), work in another ear muff as before.

WORKING INSTRUCTIONS BOOTIES
For the sole: cast on a chain of 16 sts using the blue yarn and, starting from the 2nd ch. from the crochet hook, work in single crochet working 3 sts in the last ch.; Cont. working in single crochet on the other side of the casting chains and work 3 sts in the last ch.; End the row with 1 crochet in the starting st.. Cont. working in single crochet in a circle working 1 sc in each base stitch and 3 scs. in the st. at the two ends of the work. At 6 rows from beg., work 1 row in single crochet using the white yarn. Now cont. working in single crochet using the blue yarn working the row forwards and backwards, excluding the 21 centre sts at one end of the work; dec. at the ends 1 st at every row until the end of the work. After 8 rows., stand off work. Knit up the standing stitches and cont. in dc. Using the white yarn decrease at the ends 2 sts at every row and work in the centre stitch 1 dc., 1 ch. and 1 dc. After 5 rows work 1 row as follows: 1 crochet, 1 sc, 1 double tr., 1 dc., in the next st. work 1 dc., 1 ch. and 1 dc.; 1 dc., 1 double tr., 1 sc, 1 crochet
Break and fasten off yarn.

MAKING UP AND FINISHING
For the bonnet: Using the blue yarn finish off the edge working 1 row in double tr. and 1 row in reverse st.. Using 2 threads of white yarn and 2 threads of blue yarn joined together make two 35 cm long chains and fix them at the ends of the ear muffs. Using the blue yarn cover the button as follows: wind the thread 3 or 4 times around your forefinger and, in the loop, work:
Rows 1 and 2: 20 dcs.; end this row and the next rows. con 1 crochet in the starting st..
Row 3: 20 double trebles.
Row 4.: * 2 sc., 1 decrease (= 1 sc not grafted in each of the next 2 sts, wind the yarn over and graft the 2 sts tog.) *. Rep. from * to *.
Fit the button.
Row 5: 1 dec. 7 times, 1 sc
Break off the yarn leaving a short thread; pass this through the stitches, pulling it to draw the stitches together and join the button at the top of the bonnet.
For the booties: join sides of the patel to the upper with invisible stitches. Using the white yarn finish off the upper edges working 1 row in reverse st. With 1 white thread and 1 blue thread work two 50 cm long and, with a safety pin, braid them through the stitches of the fourth last row.